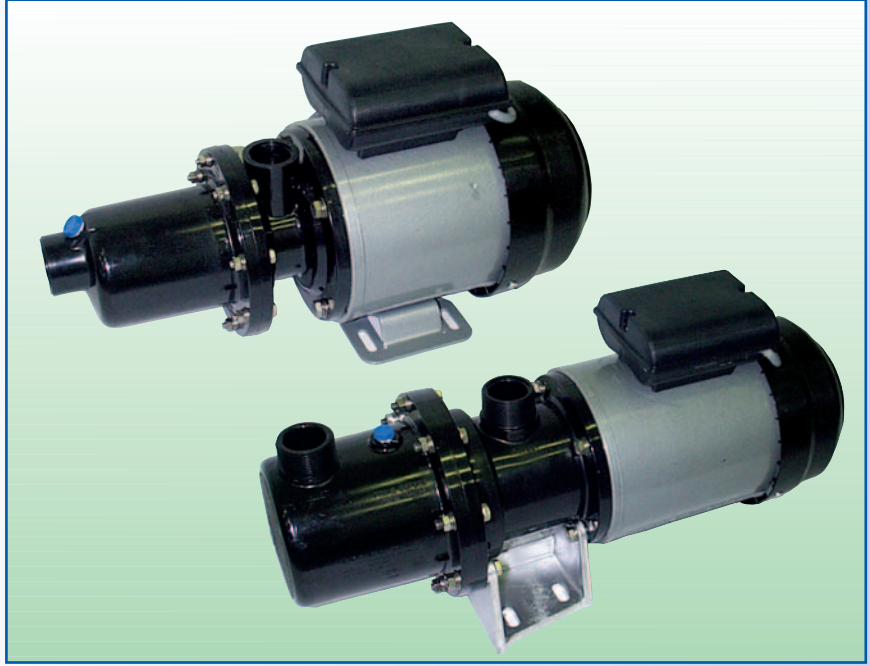


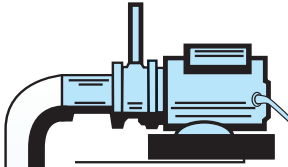
Mono[®]

A National Oilwell[®] Company

CP PUMPS



Mono[®]

CP Pumps

MONO CP RANGE PUMPS

Simple design. Sturdy lightweight construction. Conveniently compact.

Whether for domestic pumping requirements, or light industrial duties - they'll keep up with the pressure of work!

Four models are available (CP11, CP25, CP800 and CP1600) each operating on the well proven 'progressing cavity' principle and between them a variety of performance capabilities, up to a maximum capacity of 1650 gph (125 lpm), and pressures of up to 92 feet (28 metres).

THE MONO PRINCIPLE

The CP uses the famous helical rotor pumping principle. The heart of the Mono Pump is the single helix rotor which rotates eccentrically within a double helix resilient stator of twice the pitch length of the rotor. The rotor of circular cross section creates a continuously forming cavity as it rotates. The cavity progresses towards the discharge end, advancing in front of a continuously forming seal line, carrying the pumped material with it. As the stator open cross sectional area is always constant, the flow rate is continuous without pulsation.

THE PRINCIPLE BENEFITS ARE:

1. Capacity is proportional to speed
2. Self priming even with entrained air
3. Can handle viscous materials (consult Mono Pumps Technical)
4. Minimal damage to shear sensitive products
5. Can handle liquids containing solids or abrasive particles
6. Pulsation free operation
7. Positive displacement

STATOR OPTIONS:

- 1 Natural
- 1 Nitrile (standard)
- 1 Chlorosulphonated PE
- 1 High Nitrile
- 1 Fluoroelastomer (CP11 and CP25 only)



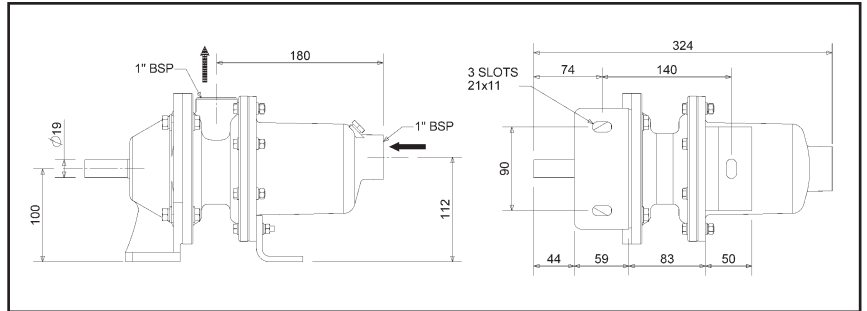
Models and Dimensions

BARESHAF & MOTORISED:

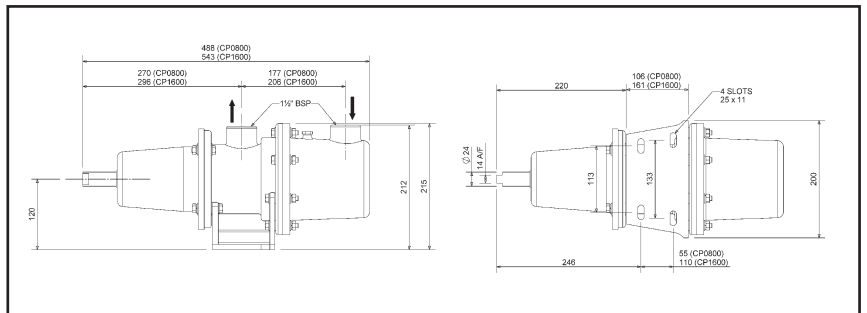
DIMENSIONS:



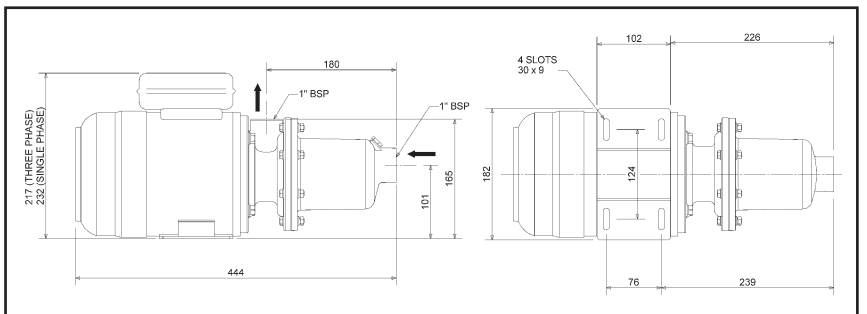
CP11 & CP25 Bareshaft



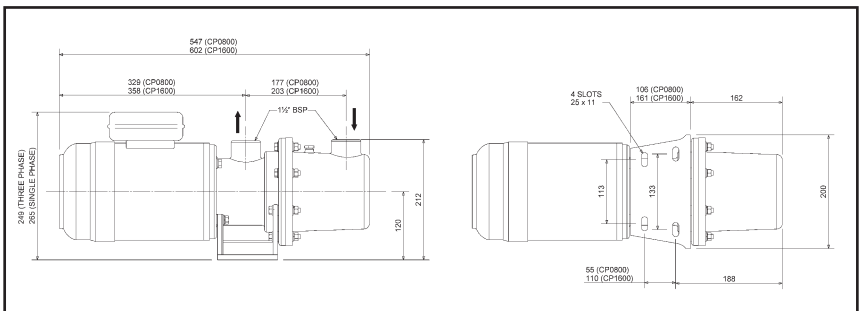
CP800 & CP1600 Bareshaft



CP11 & CP25 Motorised



CP800 & CP1600 Motorised



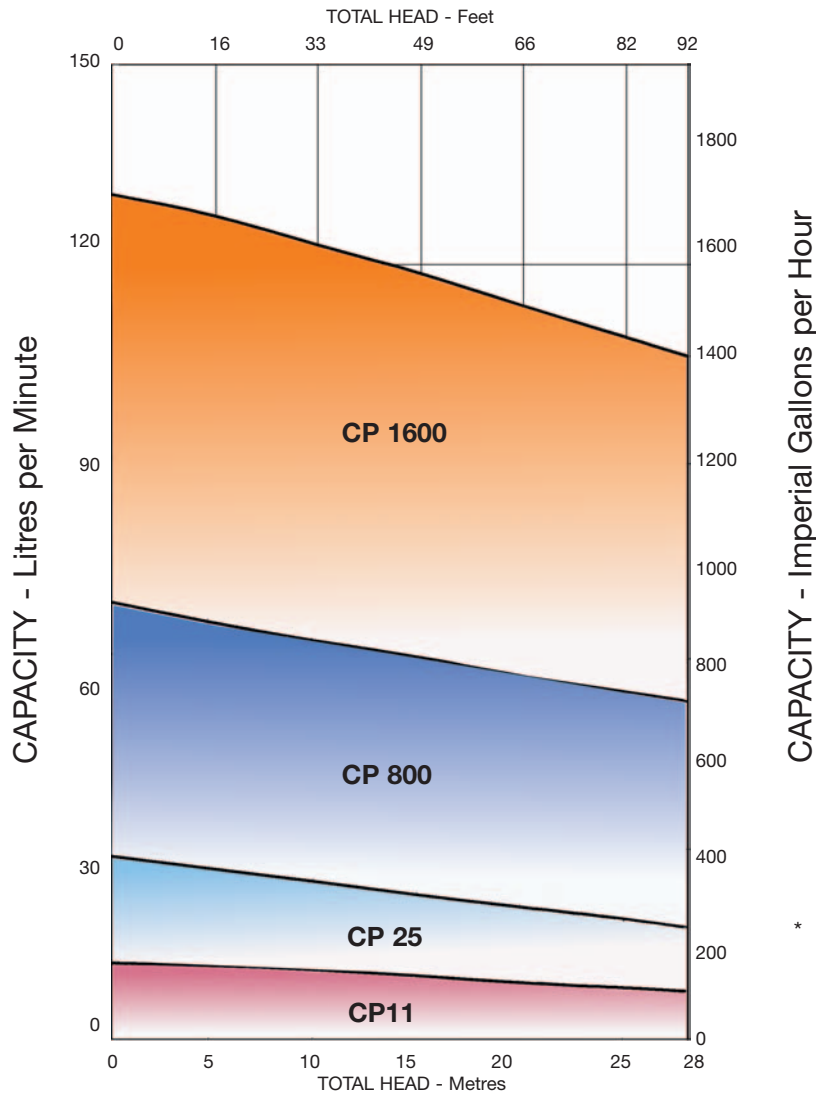
Pre Selection

FEATURES & BENEFITS

- 1 Single mechanical seal
- 1 Self priming up to 6m
- 1 Tough engineered grade acetal co-polymer plastic housing
- 1 Stainless steel internal rotating parts
- 1 Close coupled drive arrangement
- 1 Simple and easy to maintain
- 1 Integral mounting bracket
- 1 Tropical proof motor as standard
- 1 BSPP threaded port connections
- 1 Stainless steel fasteners
- 1 Bareshaft options

PERFORMANCE TABLE

Flows to:	CP11 - 11 lpm CP25 - 25 lpm CP800 - 60 lpm CP1600 - 125 lpm
Heads to:	28 metres
Motor Options:	240v and 415v
Motor Enclosure:	IP55 Standard
Maximum Speed:	1450 rpm



* For pressures above 28 metres contact Mono Pumps Technical Department.

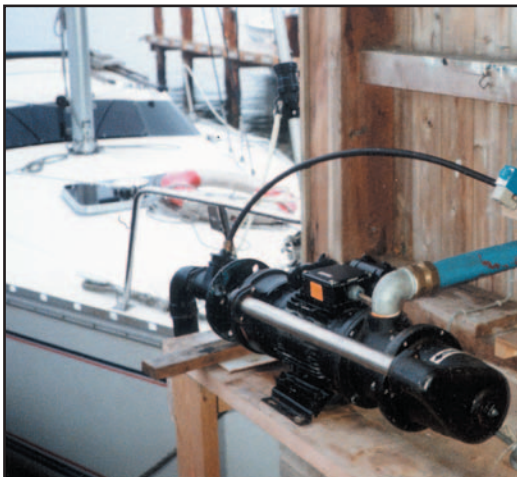
Applications



Shallow Bores



Trolley Unit



Effluent

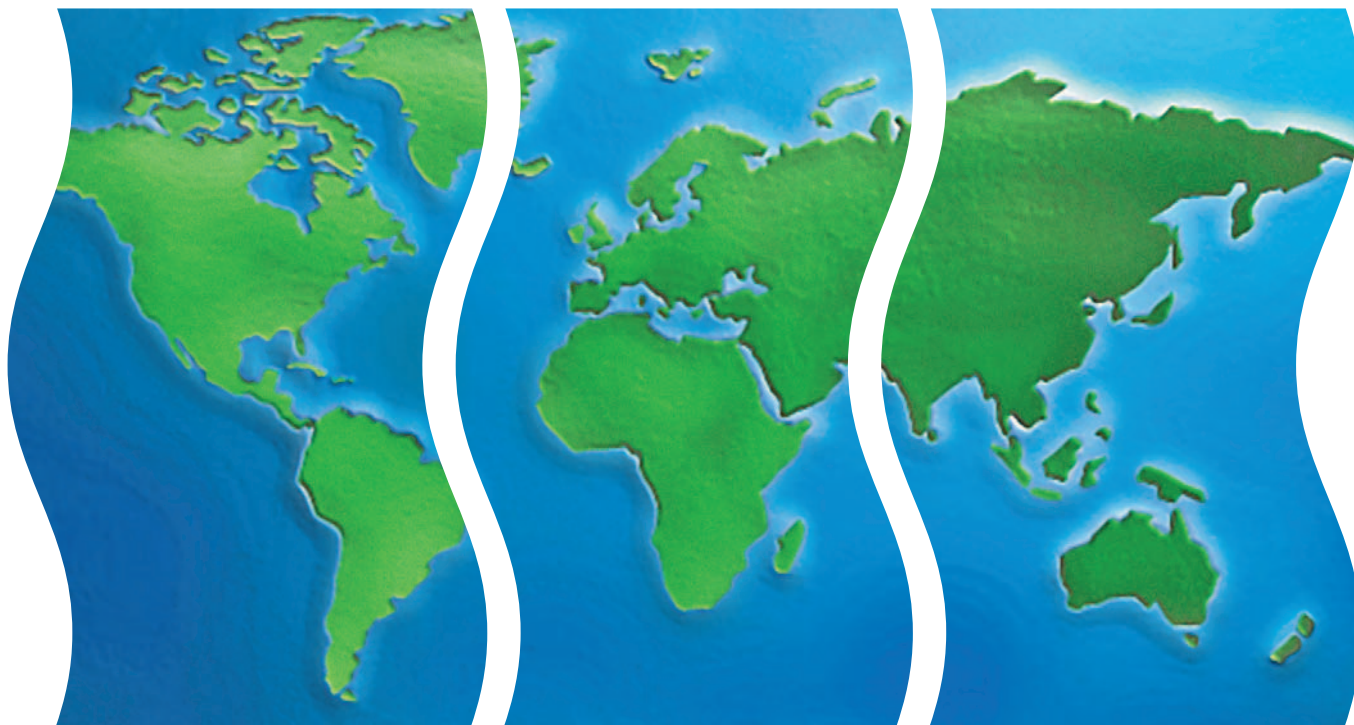
Typical products the CP Pump is suitable for are:-

- 1 Septic Effluent
- 1 Oily Water
- 1 Domestic Water Supply
- 1 Garden Sprinkler Systems/Irrigation
- 1 Vegetable Oils
- 1 Diesel
- 1 Detergents
- 1 Wine
- 1 Heating Oil Ring Main
- 1 Plating Solutions
- 1 Water Based Inks
- 1 Chemical Dosing/Transfer



Oily Water Separator

Mono Pumps Around the World



Americas

Monoflo Incorporated
16503 Park Row
Houston
Texas 77084
U.S.A.
Tel: +1 281 599 4700
Fax: +1 281 599 4733
E-mail: inquire@monoflo.com
www.monoflo.com

Europe

Mono Pumps Limited
Martin Street
Audenshaw
Manchester M34 5JA
England
Tel: +44 (0)161 339 9000
Fax: +44 (0)161 344 0727
E-mail: info@mono-pumps.com
www.mono-pumps.com

Australasia

Mono Pumps (Australia) Pty Ltd
338-348 Lower Dandenong Road
Mordialloc
Victoria 3195
Australia
Tel: +61 (0)3 9580 5211
Fax: +61 (0)3 9580 9036
E-mail: ozsales@mono-pumps.com
www.mono-pumps.com

Your local Authorised Distributor:



Please contact the nearest Mono Office for details of your local authorised distributor.

Published information other than that marked CERTIFIED does not extend any warranty or representation, expressed or implied, regarding these products. Any such warranties or other terms and conditions of sales and products shall be in accordance with Mono Pumps Limited standard terms and conditions of sale, available on request.

© Mono Pumps Limited April 2004.
Mono® is a registered trademark of Mono Pumps Ltd
Registered in England No 300721

SLMP/034/01/R4

Mono Pumps (New Zealand) Ltd

P.O. Box 71-021
35 - 41 Fremlin Place
Avondale, Auckland 7
New Zealand
Tel: +64 (0)9 829 0333
Fax: +64 (0)9 828 6480
E-mail: ozsales@mono-pumps.com
www.mono-pumps.com

National Oilwell Inc.

Rm 2303 Capital Mansion
No. 6 Xin Yuan Nan Road
Chaoyang District
Beijing 100004
P.R. China
Tel: +86 (0)10 6461 1115
Fax: +86 (0)10 8486 8481
E-mail: alan.chen@natoil.com
www.mono-pumps.com

Mono Pumps Ltd
Martin Street, Audenshaw
Manchester M34 5JA England
Tel: +44 (0)161 339 9000 Fax: +44 (0)161 344 0727
e-mail: info@mono-pumps.com
www.mono-pumps.com

Mono®

A National Oilwell® Company